

## GAT NET.Lock 7020

Electronic RFID Locker Lock

### FACTS AT A GLANCE

- Operation via RFID data carrier or NFC device
- All popular RFID technologies (13.56 MHz and 125 kHz)
- Different operating modes
- Two controller types for up to 12 or 24 locks per controller
- Reliable data transmission between lock and data carrier
- Standalone mode supported
- Automatic calibration of the RFID field
- LED status indicator (multicolor) and acoustic signaling
- Motorized locking/unlocking for optimum reliability
- No mechanical, internal switches
- Suitable for left and right-hinged doors and all types of locker material
- Vandal-proof installation
- Different bolt sets available with integrated RFID booster
- Custom labels for the locker door possible



The GAT NET.Lock 7020 lock is the ideal solution for the convenient electronic locking of lockers in leisure facilities, universities, company offices, and depot compartments.

The identification of users at the GAT NET.Lock 7020 is carried out using contactless RFID data carriers and NFC technology. To use a locker, the user presses the locker door shut and holds their data carrier or NFC device near the reading field of the GAT NET.Lock 7020. The locking or usage status of the locker is signaled by an LED indicator. The various operating modes enable the flexible use of these locker locks.

The "USB" version of the GAT NET.Lock 7020 is equipped with two USB ports to conveniently charge mobile devices. The large, integrated LED lighting clearly illuminates the locker interior.

The administration of authorizations is completed via locker management software, which allows users to be effortlessly added or removed in the system. The days of lost keys and complicated locker management systems are a thing of the past.

The GAT NET.Lock 7020 is suitable for all locker materials (wood, HPL, solid plastic, glass, and also sheet metal) and can be used with both left and right-hinged locker doors. Thanks to the smooth surface front, the locker is protected against vandalism and allows the customer a wide range of design freedom.



GAT NET.Lock BoltSet 7120

GAT NET.Lock 7020  
GAT NET.Lock 7020 P



GAT NET.Lock BoltSet 7120

GAT NET.Lock 7020 USB  
GAT NET.Lock 7020 USB P

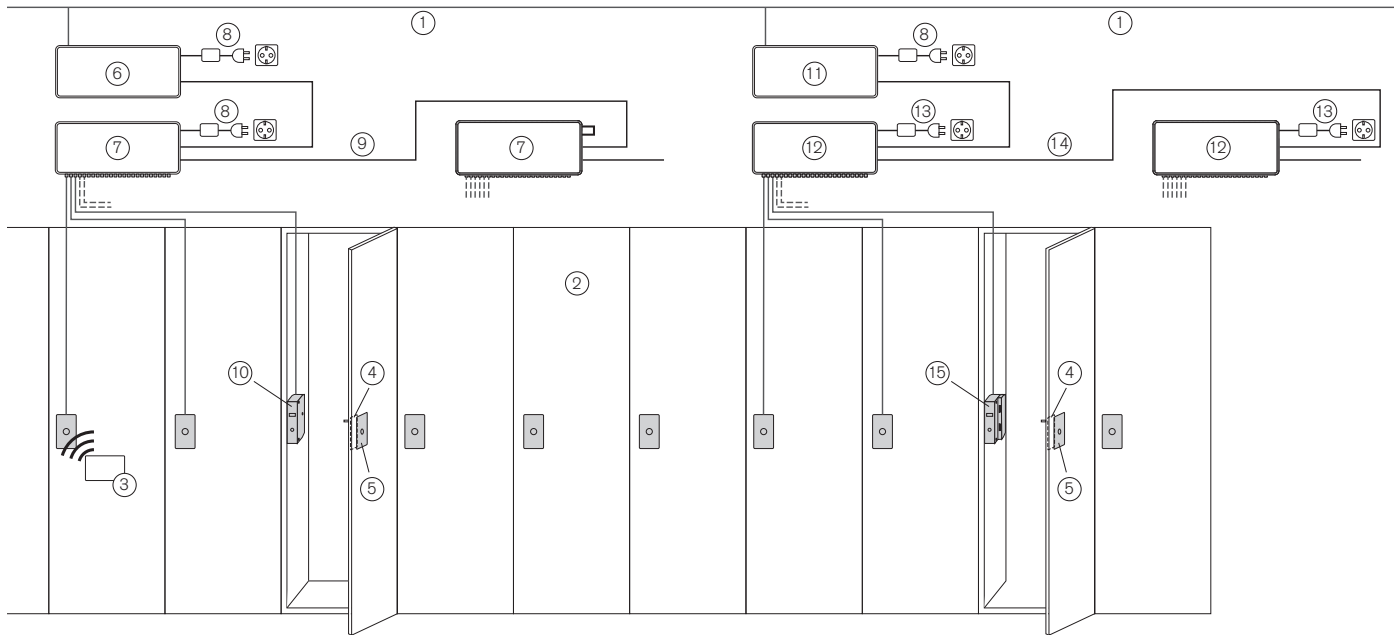


## Order Information &amp; Accessories

Description	Part No.
<b>GAT NET.Lock 7020</b>	1100394
<b>GAT NET.Lock 7020 P</b>	1100391
<b>GAT NET.Lock 7020 USB</b>	1100393
<b>GAT NET.Lock 7020 USB P</b>	1100392
Electronic RFID locker lock. P = additional 125 kHz proxy reader, USB = 2 x USB ports and LED locker lighting.	
<b>GAT NET.Lock BoltSet 7120</b>	1100395
Door shackle carrier and booster for non-metallic doors	
<b>GAT NET.Lock BoltSet 7220</b>	1100396
Door shackle carrier and booster for metallic doors	
<b>GAT NET.Lock BoltSet 7320</b>	1100397
Door shackle carrier and booster for glass doors	
<b>GAT LED Plug 8mm</b>	806325
<b>GAT LED Plug 10mm</b>	1101520
LED cover for non-metallic doors for improved visibility of the LED status indicator, suitable for 8 or 10 mm holes	
<b>GAT NET.Controller M 7020</b>	1100399
Main controller for controlling max. 8 GAT NET.Controller S 7020 sub controllers.	
<b>GAT NET.Controller M 7020 Light</b>	1100398
Main controller for controlling max. 3 GAT NET.Controller S 7020 sub controllers.	
<b>GAT NET.Controller S 7020 F/ISO</b>	1100388
Sub controller for max. 24 GAT NET.Lock 7000, GAT NET.Lock 7020 with and without USB, for MIFARE®, ISO 15693, and proxy 125 kHz data carriers.	
<b>GAT NET.Controller S 7020 F/ISO Light</b>	1100389
Sub controller for max. 12 GAT NET.Lock 7000, GAT NET.Lock 7020 with and without USB, for MIFARE®, ISO 15693, and proxy 125 kHz data carriers.	
<b>GAT NET.Controller S 7020 BA</b>	1100387
Sub controller for max. 24 GAT NET.Lock 7000, GAT NET.Lock 7020 with and without USB, for LEGIC advant and proxy 125 kHz data carriers.	
<b>GAT NET.Controller S 7020 ICLS</b>	1100390
Sub controller for max. 24 GAT NET.Lock 7000, GAT NET.Lock 7020 with and without USB, for HID iCLASS® and proxy 125 kHz data carriers.	
<b>GAT NET.Power Supply 7020 100-240V / VI</b>	1100051
Power supply unit for the main and sub controllers.	
<b>GAT NET.Power Supply 7020 USB 100-240 V / VI</b>	1100052
Power supply unit for the sub controllers. Type "USB" for the GAT NET.Lock 7020 with USB.	

**NOTE:** For a complete list of accessories, refer to the GAT NET.Lock 7020 manual.

Typical Application



- 1 .....LAN Network
- 2 .....Lockers
- 3 .....RFID data carrier
- 4 .....Bolt set (GAT NET.Lock BoltSet 7xxx)
- 5 .....Front label

Different variants of GAT NET.Lock locks and controllers can operate in combination:

- 6 .....Main controller 7020 or 7000
- 7 .....Sub controller 7020 or 7000
- 8 .....GAT NET.Power Supply 7020 (without "USB") or 7000
- 9 .....RS-485 + power
- 10 ...GAT NET.Lock 7020 / 7020 P or GAT NET.Lock 7000

To use the USB and LED function, the GAT NET.Lock 7020 USB (P) and the following combination of controllers and power supplies must be used:

- 11 ...Main controller 7020 or 7000
- 12 ...Sub controller 7020
- 13 ...GAT NET.Power Supply 7020 USB
- 14 ...RS-485 (without direct power, each sub controller needs its own "USB" type power supply)
- 15 ...GAT NET.Lock 7020 USB or 7020 USB P

Technical Data

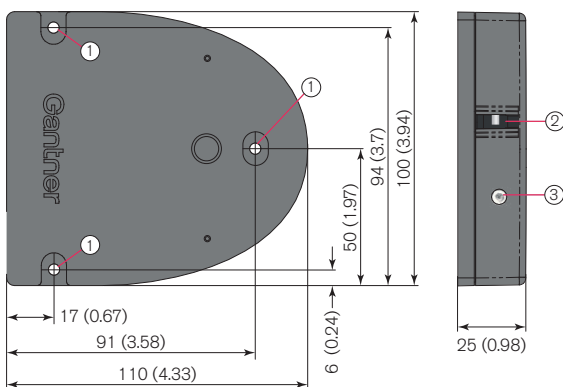
Nominal voltage:	
- GAT NET.Lock 7020 (P):	5 V DC
- GAT NET.Lock 7020 USB (P):	24 V DC
Power supply:	Via connection cable from sub controller
Average power consumption:	
- GAT NET.Lock 7020 (P):	60 mW
- GAT NET.Lock 7020 USB (P):	65 mW (without USB charging, without LED)
Charging current (GAT NET.Lock 7020 USB (P)):	Up to 2 A per lock and max. 70 W per controller*
	* When multiple devices are being simultaneously charged at multiple locks of a sub controller, the charging current of the sub controller is automatically distributed between these locks.
Max. transmission power:	<400 mW

## Technical Data

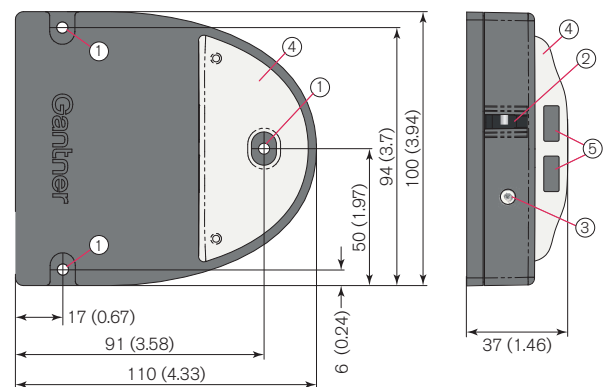
Reader types:	
- GAT NET.Lock 7020 (USB):	13.56 MHz
- GAT NET.Lock 7020 (USB) P:	13.56 MHz +125 kHz
Locks per sub controller:	
	24 (GAT NET.Controller S 7020)
	12 (GAT NET.Controller S 7020 Light)
Retaining force:	Min. 1500 N (337.2 lb)
User guidance:	Multicolor status LED
Housing material:	Plastic (PC)
Door width:	Min. 230 mm (9.05 in)
Permitted ambient temperature:	0 °C to 60 °C (32 °F to 140 °F)
Protection type:	IP 52
Protection class:	III
Weight:	Approx. 160 g (5.6 oz)
Environment class (VdS 2110):	II (conditions in indoor areas)
Compliance:	CE, FCC

## Device Features and Dimensions

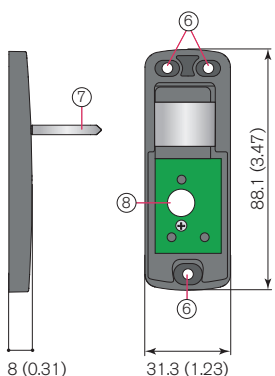
GAT NET.Lock 7020 and GAT NET.Lock 7020 P  
Electronic locker lock without USB and LED function



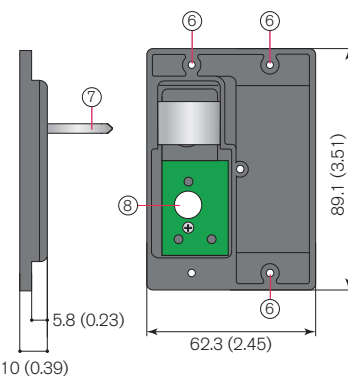
GAT NET.Lock 7020 USB and GAT NET.Lock 7020 USB P  
Electronic locker lock with USB and LED function



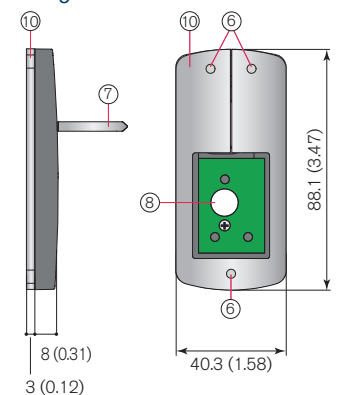
GAT NET.Lock BoltSet 7120  
For non-metallic doors



GAT NET.Lock BoltSet 7220  
For metallic doors



GAT NET.Lock BoltSet 7320  
For glass doors



- 1 .....Mounting holes for GAT NET.Lock 7020 on the inner side of the locker wall (3x)
- 2 .....Opening for door shackle
- 3 .....Status LED
- 4 .....Top with LED lighting and USB ports
- 5 .....USB ports with charging function

- 6 .....Mounting holes for GAT NET.Lock BoltSet on the inner side of the locker door
- 7 .....Door shackle
- 8 .....Hole for status LED
- 9 .....Front cover
- 10 .....Metal support

Measurements in mm  
Inches in brackets