

GT7.2500

GT7.3500

Multifunctional RFID Terminal

FACTS AT A GLANCE

- App concept that allows the desired application (Access, Time, Info, ...) to be loaded into the hardware or simply exchanged
- Customized app development for selected partners also possible
- Cloud-based G7 Connect platform with integrated authorization system for configuration, firmware, and app updates for single or multiple devices/projects
- 4.3" color display with capacitive touchscreen for intuitive user guidance and operation
- Contactless multi-technology reader for all popular RFID technologies, NFC data carriers, and Gantner.Connect
- Web interface in the device
- Power supply via Ethernet (PoE) possible
- Slim housing design
- Easy installation and convenient Plug&Play commissioning
- Available with fingerprint reader for increased security
- Integrated speaker for user feedback



The GT7 terminal, available with and without fingerprint sensor, impresses with highlights including the possibility of identification via RFID, NFC, or wireless interface, and the unique app concept that is uploaded to the universal hardware.

The respective app determines whether the reader is used as an access terminal (access control for doors, turnstiles), a time terminal (timer function for solariums, whirlpools) or an information terminal (display of locker or visitor information).

The clear 4.3" color display with intuitive capacitive touchscreen, Power over Ethernet (PoE) function, the integrated speaker as well as the elegantly modern, slim design make the GANTNER GT7 device generation a real must-have.



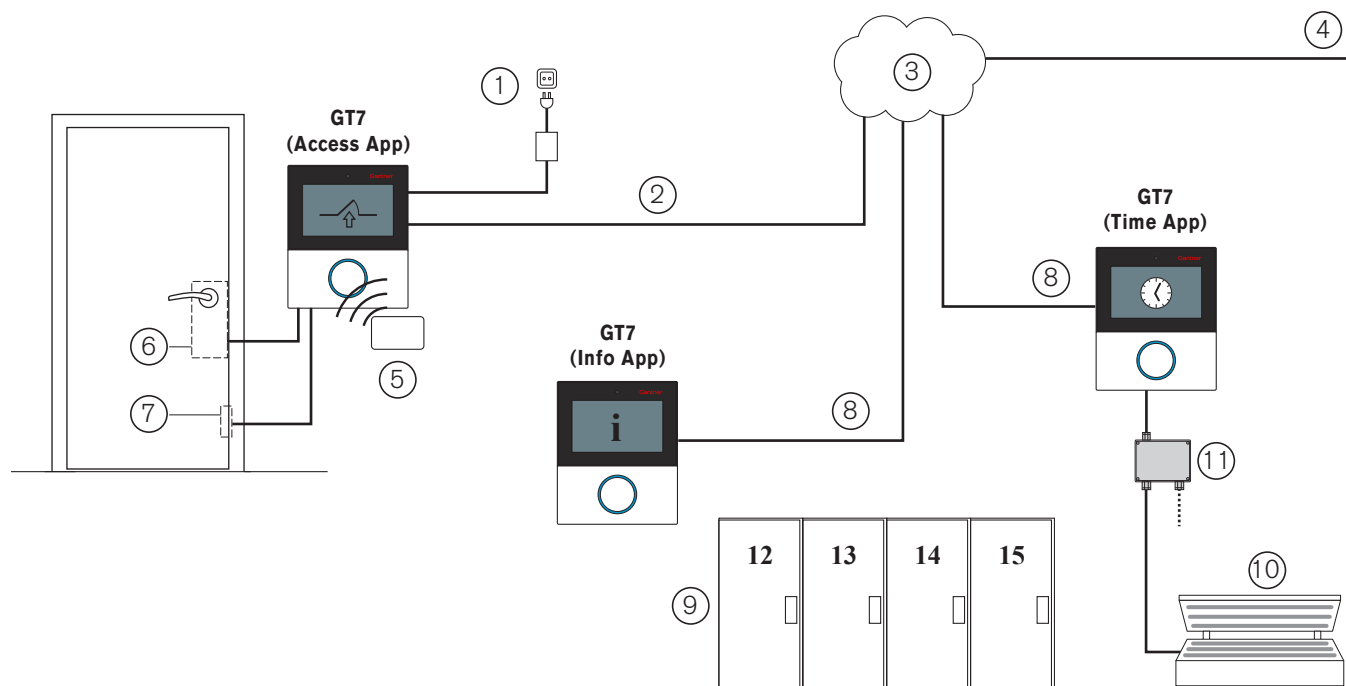
Order Information

Description	Part No.
GT7.2500 Multi-functional RFID terminal, with Access app (for other apps, see G7 License points), Ethernet, PoE, 1 relay output, 1 status input	919128
GT7.3500 Multi-functional RFID terminal, with Access app (for other apps, see G7 License points), Ethernet, PoE, 2 relay outputs, 1 status input, with Wiegand, RS-232 and RS-485 interfaces, WLAN, Camera, Microphone	919229

Accessories

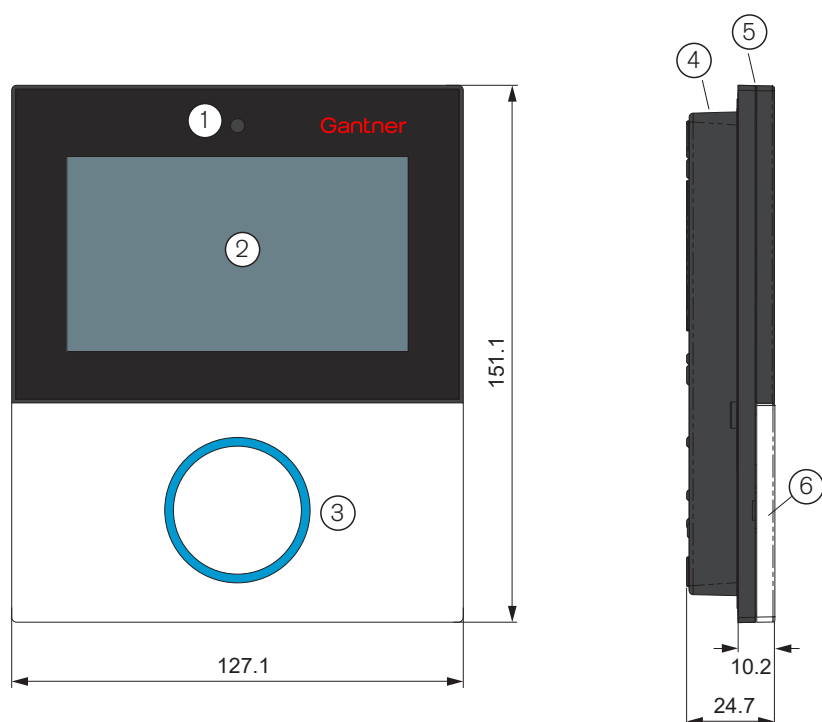
Description	Part No.
GT7b.2000 Fingerprint module for the GT7.2500 and GT7.3500	982936
GPS7.3092 0.7A Socket power supply including country-specific adapter for EU, UK, USA, Australia Output: 24 VDC/0.75 A with open ends, Input: 100-240 VAC, 50/60 Hz	1101184
GPS7.1002 1.5A Power supply, power cord not included (see next accessory) Output: 24 VDC/1.5 A max., Input: 100-240 VAC, 50/60 Hz	1100872
Power Cord 2m EU CH – IEC 60320 C7	494181
Power Cord 2m UK – IEC 60320 C7	494282
Power Cord 2m AUS – IEC 60320 C7	511474
Power Cord 2m USA – IEC 60320 C7	636835
Power Cord 2m IND – IEC 60320 C7 Power cord suitable for different power plug standards	636734
PoE Injector 1 Port EU TL-150S Power over Ethernet Injector, 1 Port, 15.4 Watt, dimensions: 81x23x51 mm, incl. EU Power Supply	1100733
GT7.2500 Demo Kit GT7.2500 demo terminal mounted on an acrylic holder, incl. PoE Injector and power supply	1101976
GT7.3500 Demo Kit GT7.3500 demo terminal mounted on an acrylic holder, incl. PoE Injector and power supply	1100790
G7 Device License point 1 license point for G7 terminals to activate the desired app functionality (Time, Info, ...)	1101025
G7 Device License points Info 20 license points for the GT7 to enable the Info App	1102169
G7 Device License points Time 30 license points for the GT7 to enable the Time App	1102170
G7 Device License points Enrollment 40 license points for the GT7 to enable the Enrollment App	1101973
G7 Device License points Open Card 10 license points for the GT7 to disable the Certificate check	1101974
G7 Connect GO 1+1 Enables one new GT7 Terminal to use the G7 Connect Cloud Service for 2 years (1 st year free for new devices + 12 months cloud usage per device)	1102060
G7 Connect GO 1+5 Enables one new GT7 Terminal to use the G7 Connect Cloud Service for 6 years (1 st year free for new devices + 60 months cloud usage per device)	1102061
G7 Connect GO 2 Extension package enabling one GT7 Terminal to use the G7 Connect Cloud Service for 2 additional years (24 months cloud usage per device)	1102062

Typical Application



- 1Power supply
- 2Network cable (Ethernet)
- 3Network
- 4To server
- 5RFID data carrier
- 6Electronic lock
- 7Door contact
- 8Network and power supply (PoE)
- 9Electronic locker locks
- 10 ..Sunbed (time control)
- 11 ..Relay box

Device Features and Dimensions



- 1 Camera (optional)
- 2 Display
- 3 RFID reader with status LED
- 4 Rear part
- 5 Front part
- 6 RFID reader cover

Measurements in mm

Technical Data

Nominal voltage	- Power supply:	DC 12/24 V (LPS/SELV)
	- PoE:	PoE conf. to IEEE 802.3af, performance class 0
Power consumption	- Power supply:	900 mA
	- PoE:	300 mA
Reader type:		- MIFARE: Classic (1k and 4k), Ultralight®, DESFire EV1® and EV2® - ISO 15693 - Gantner.Connect
Reader frequency	- RFID:	13.56 MHz
	- Wireless interface:	2.4 GHz
Max. transmit power	- RFID:	500 mW
	- Wireless interface:	3.7 dBm (2.344 mW)
WLAN standard:		IEEE 802.11b/g/n
Data storage:		Flash memory for configuration and booking data, wallpaper, and advertisement pictures
Display elements/signaling		
- Display:		4.3" color display with capacitive touchscreen, resolution 480 x 272 px
- RFID reader:		LED color ring, different colors
- Acoustic signaling:		Speaker
Sensors:		- Camera with 5 megapixels, RGB (GT7.3500) - Microphone (GT7.3500)
Signal input:		1 x optocoupler (function configurable)
Signal output:		GT7.2500 1 x relay, GT7.3500 2 x relays (NO, function/timing configurable)
Host interface:		- Ethernet 10/100 Mbps, IPv4 and IPv6 - WLAN (GT7.3500)
Reader interfaces (GT7.3500):		- RS-232 (barcode) - RS-485 (Gantner expansion bus) - Wiegand
Weight:		370 g
Permitted ambient temperature:		-10 to +50 °C
Protection type:		IP 52 (installed state)
Environment class (VdS 2110):		III (conditions in outside areas, protected from weather)
Compliance:		CE