

Barcode Scanner ATR 110 / ATR 200

Fast & secure barcode scanner for printed and mobile tickets

FACTS AT A GLANCE

- Fast, intuitive imager with fixed focal distance
- Reads barcodes upon face-down presentation
- Reads 2D (e.g. QR Code, Aztec), PDF417 and linear barcode (e.g. EAN, Code 128) symbologies
- Operates with GANTNER access terminals
- RS-232 interface
- Barcode Scanner ATR 110 - Desktop version, LEDs and beeper for user feedback
- Barcode Scanner ATR 200 - Flush-mounted version for integration into turnstiles and gates, LED for user feedback



Barcode Scanner ATR 110

To facilitate the reading of barcodes, GANTNER offers two fast and intuitive barcode readers for use in an access system. The ATR 110 is a compact desktop reader and the ATR 200 is a low-profile reader designed to easily integrate into kiosks, ticket machines, turnstiles and access gates.

These 'one-box' solutions operate in combination with GANTNER access terminals, e.g., GT7.3x00, GAT Access 6200 and GAT Access 6350, to process a wide range of electronic ticketing across a variety of media.

The readers are designed to read all popular linear, PDF417 and 2D barcode symbologies, including QR and Aztec codes, from smartphones, tablets, and printed paper documents. The advanced recognition barcode imager has near-zero latency. It captures barcodes within a fraction of a second of presentation in any orientation.

These responsive, intuitive-to-use devices are designed to be operated by untrained members of the public. Additional user-friendly features include bright LED visual indicators and an audio beeper (ATR 110) to confirm successful data capture.

The readers impress with their rugged, vibration and shock resistant construction, with no moving parts, enabling them to withstand years of frontline, public use.



Barcode Scanner ATR 200



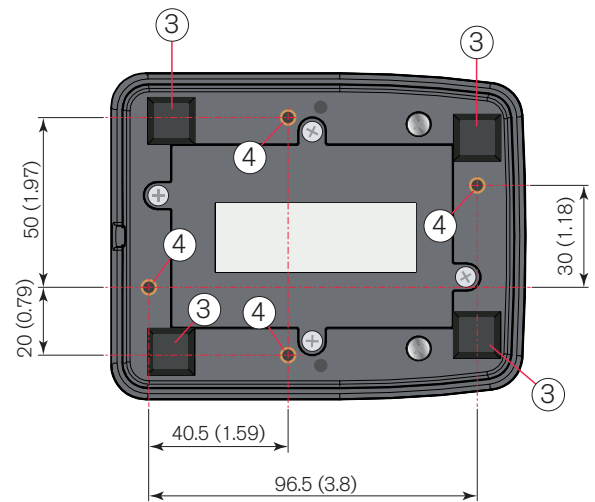
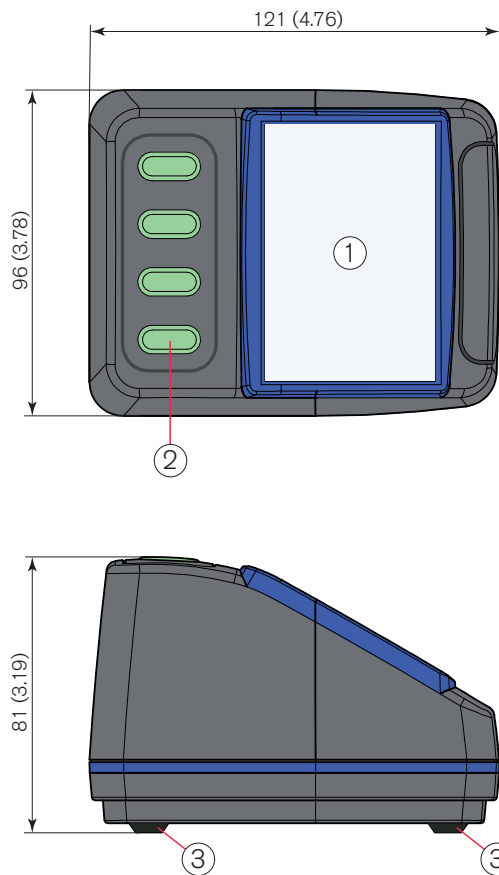
Order Information

Description	Part No.
Barcodescanner ATR 110	1101438
1D and 2D barcode scanner, desktop version, RS-232 interface, D-sub socket, dimensions: 121 x 96 x 81 mm, open-ended wires, wiring length 300 mm, preconfigured	

Technical Data

Supported barcode symbologies	
Linear:	- EAN - UPC Code 2 of 5, Interleaved 2 of 5, IATA 2 of 5, Code 39, Code 128
2D:	- IATA resolution 792 - PDF417 - Aztec - DataMatrix - QR codes
Media types:	- Smartphone, tablet, and smartwatch displays - Paper documents and tickets
Supported GANTNER devices	
	- GT7.3xxx - GAT Access 6200 - GAT Access 6350 - GAT SMART.LockAxx 6350
Mechanical/electrical	
Nominal voltage:	5 V DC
Current consumption:	- 350 mA peak - 250 mA standby
Color:	Dark gray
Dimensions:	H:81 x W:96 x D:121 mm (3.19 x 3.78 x 4.76 inches)
Weight:	443 g (15.6 oz)
MTBF:	85,000 hours
Features	
Mounting options:	Horizontal, vertical, and pole NOTE: The scanner must not be positioned in direct sunlight as this may cause the scan performance to deteriorate or fail completely.
Glass:	- 3 mm thermally toughened low-iron Conturan IK07 - 3 times 2J impact - Anti-reflective coating
User guidance:	- 4 x multi-colored LEDs (green) - Buzzer
LED position:	Rear
Environmental	
Temperature:	0 °C to 60 °C (32 °F to 140 °F)
Storage:	-30 °C to 70 °C (-22 °F to 158 °F)
Humidity:	95% RH, non-condensing
Protection type:	IP 54
Compliance	
	FCC 47CFR Part 15 Subpart B Class A, EN 55022 Class B, EN 55024, FCC 47CFR Part 15 Subpart C, ETSI EN 302 291, EN 60950-1

Device Features and Dimensions

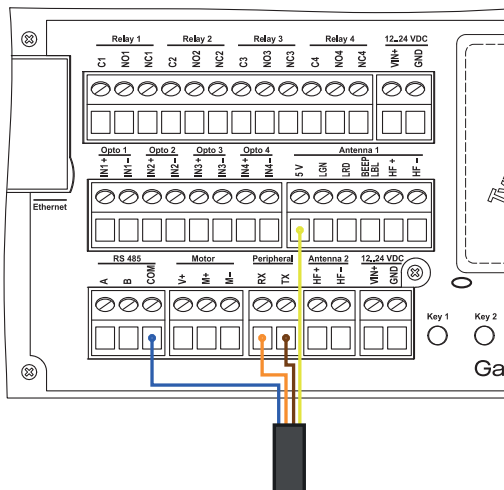


- 1Barcode reading area
- 2Status LED
- 3Rubber foot
- 4M3 mounting point (max. insertion depth: 4 mm)

Measurements in mm
Inches in brackets

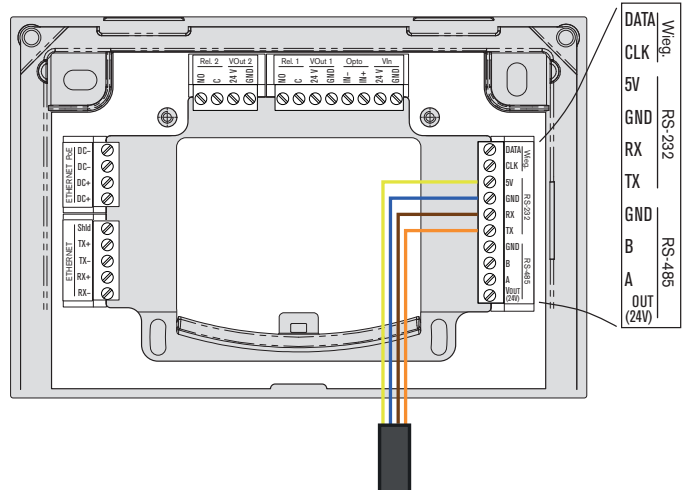
Electrical Connections

GAT Access 6200 / 6350



ATR 110 Wire Color	GAT Access 6200/6350
Yellow	+5 V (Antenna 1)
Blue	COM (RS-485)
Orange	RX (Peripheral)
Brown	TX (Peripheral)

GT7.3x00



ATR 110 Wire Color	GT7.3x00
Yellow	+5 V (RS-232)
Blue	GND (RS-232)
Orange	TX (RS-232)
Brown	RX (RS-232)

NOTE!

If the GT7 terminal is being supplied power via PoE, the barcode scanner must be powered by a separate +5 V power supply.

Order Information

Description	Part No.
Barcodescanner ATR 200	1102257
1D and 2D barcode scanner, flush-mounted version, RS-232 interface, D-sub socket, dimensions: 103.1 x 106.3 x 36.9 mm, open-ended wires, wiring length 300 mm, preconfigured	

Technical Data

Supported barcode symbologies

Linear:	- EAN - UPC Code 2 of 5, Interleaved 2 of 5, IATA 2 of 5, Code 39, Code 128
2D:	- IATA resolution 792 - PDF417 - Aztec - DataMatrix - QR codes
Media types:	- Smartphone, tablet, and smartwatch displays - Paper documents and tickets

Supported GANTNER devices

- GT7.3xxx
- GAT Access 6200
- GAT Access 6350
- GAT SMART.LockAxx 6350

Mechanical/electrical

Nominal voltage:	5 V DC
Housing:	Black ABS
Dimensions:	H:103.1 x W:106.3 x D:36.9 mm (4.06 x 4.18 x 1.45 inches)
Weight:	250 g (15.6 oz)
MTBF:	250,000 hours
Mounting options:	Flush-bezel, integrated mounting. The scanner is completely flush with the surrounding surface, allowing smooth movement across the reading area regardless of the media. NOTE: The scanner must not be positioned in direct sunlight as this may cause the scan performance to deteriorate or fail completely.

Features

Glass:	- 4 mm Toughened White Soda Lime - BS EN60068-2-75 & IEC 62262:2002 - Rated to 3.5J impact
--------	--

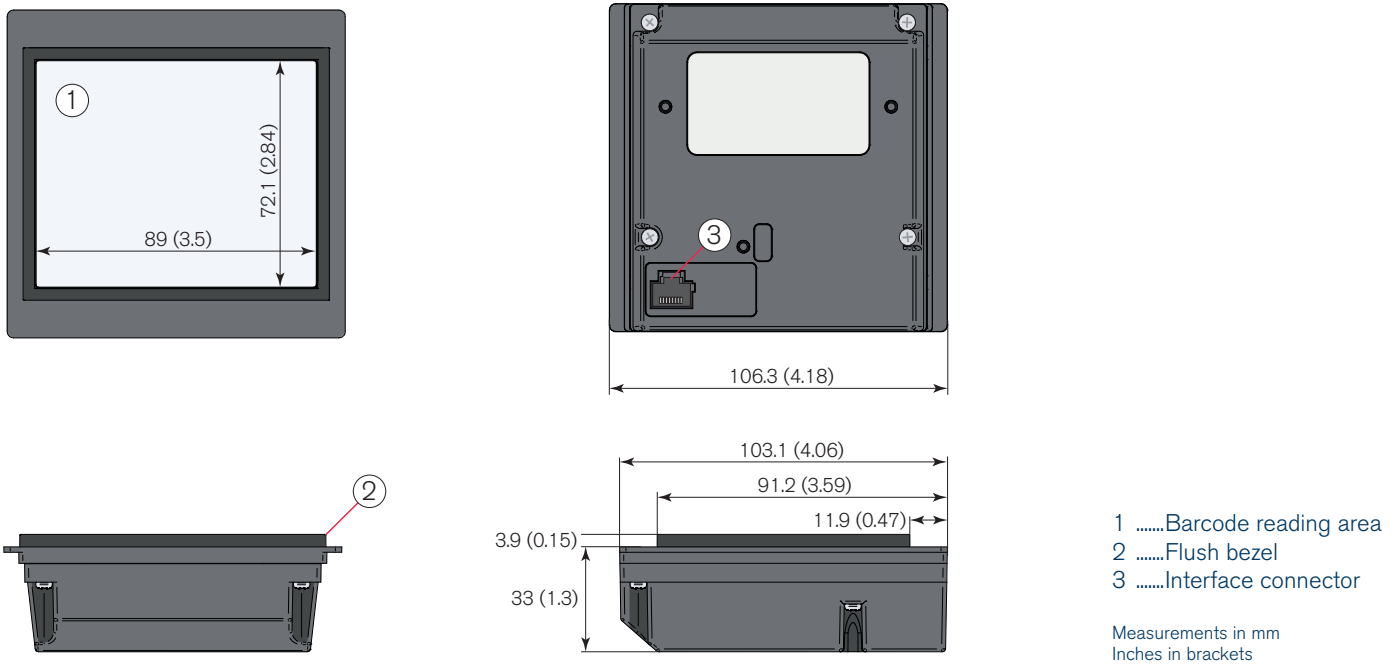
Environmental

Temperature:	-20 °C to 60 °C (-4 °F to 140 °F)
Storage:	-30 °C to 80 °C (-22 °F to 176 °F)
Humidity:	95% RH, non-condensing
Safety:	IEC 62471: 2006 EN 60950-1:2006+A12:2011
Protection type:	- Sealed front face ONLY for integration into indoor or outdoor-turnstiles and gates - EN 60529:1992

Compliance

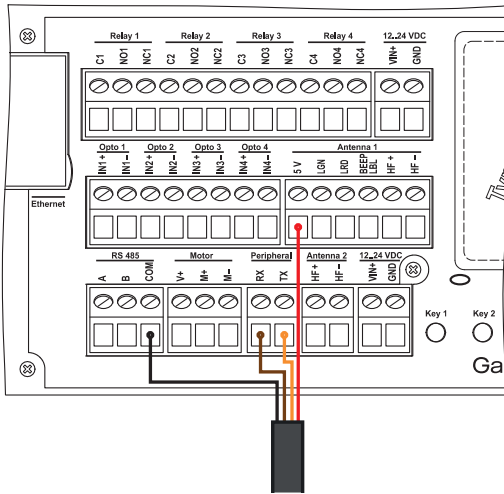
FCC 47CFR Part 15 Subpart B Class A, EN 55032 Class B, EN 55024, FCC Part 15 Subpart C, CE: EN 301 489-1 v1.8.1 (2008-04), CE: EN 302 291-1 v1.1.1 (2005-07)

Device Features and Dimensions

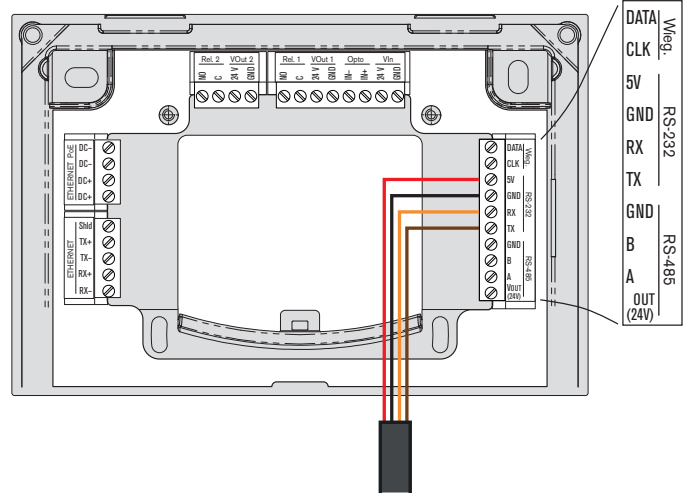


Electrical Connections

GAT Access 6200 / 6350



GT7.3x00



ATR 200 Wire Color	GAT Access 6200/6350
Red	+5 V (Antenna 1)
Black	COM (RS-485)
Orange	TX (Peripheral)
Brown	RX (Peripheral)

ATR 200 Wire Color	GT7.3x00
Red	+5 V (RS-232)
Black	GND (RS-232)
Orange	RX (RS-232)
Brown	TX (RS-232)

NOTE!

If the GT7 terminal is being supplied power via PoE, the barcode scanner must be powered by a separate +5 V power supply.